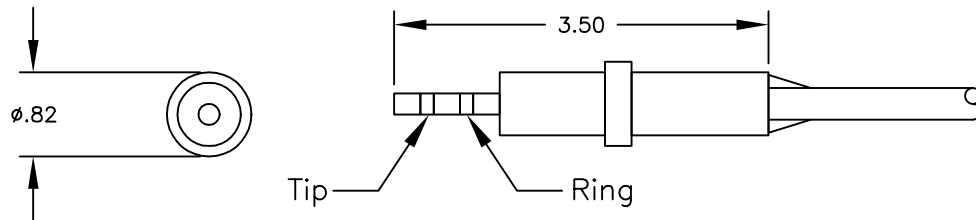


Undersea Systems International, Inc.
dba
Ocean Technology Systems

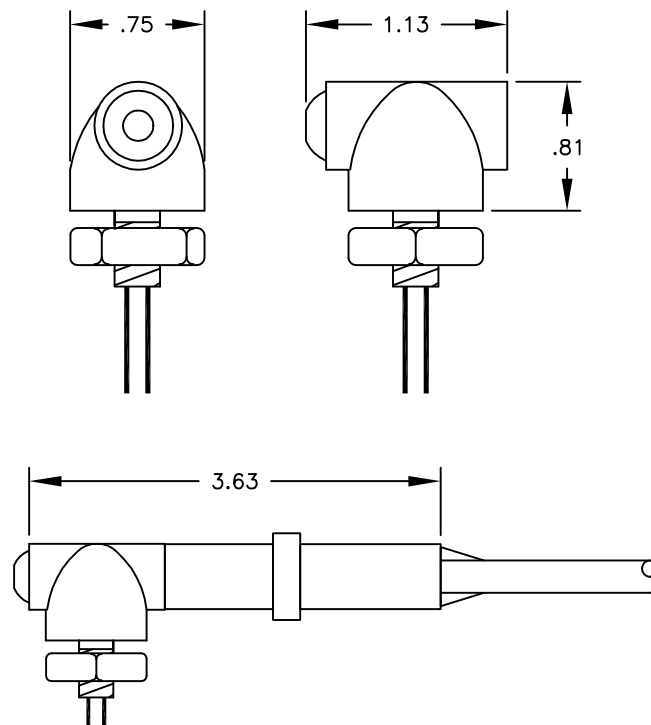
E/O CONNECTORS

MALE



- | | |
|---|---------------|
| 1 | Tip (Ground) |
| 2 | Ring (Signal) |

FEMALE BULKHEAD

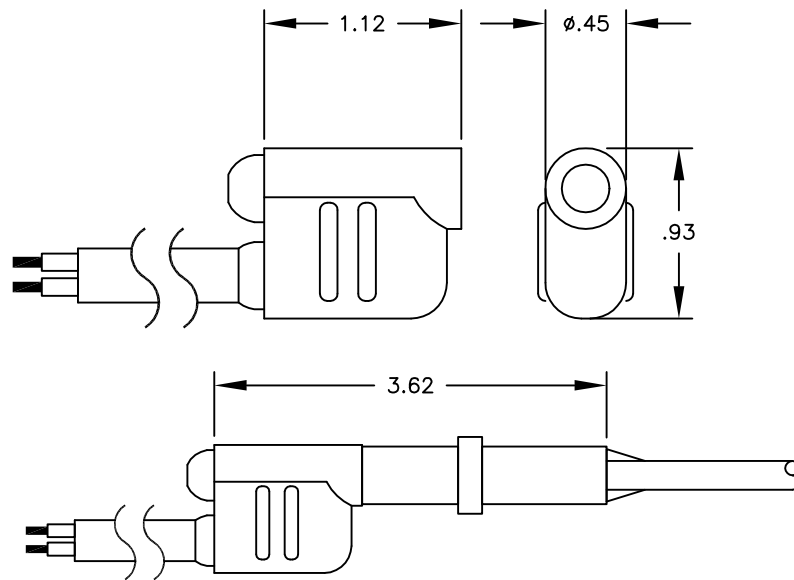


Total Length of Mated Connectors

Undersea Systems International, Inc.
dba
Ocean Technology Systems

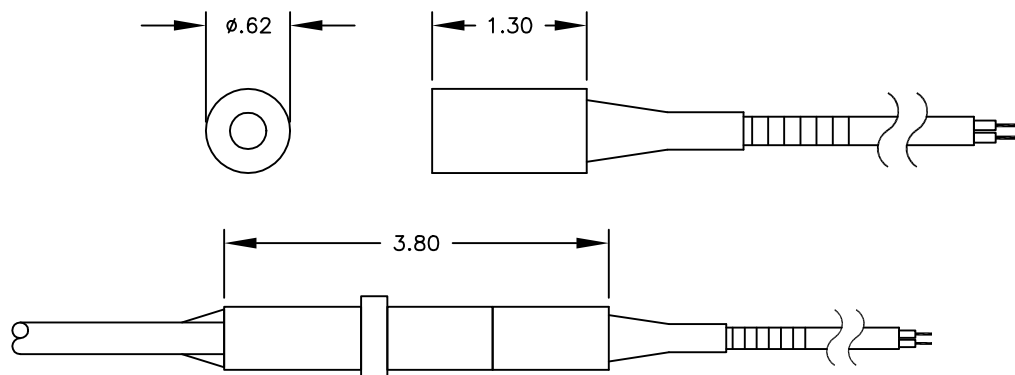
E/O CONNECTORS

FEMALE OFFSET



Total Length of Mated Connectors

FEMALE INLINE



Total Length of Mated Connectors