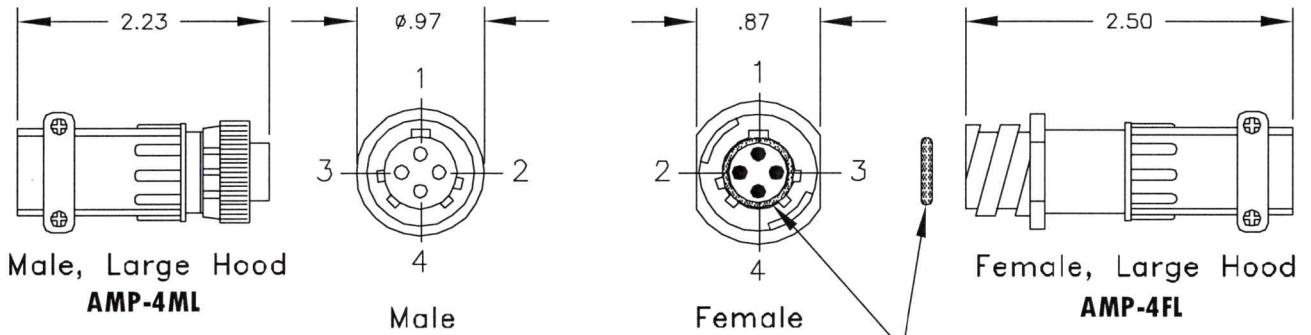


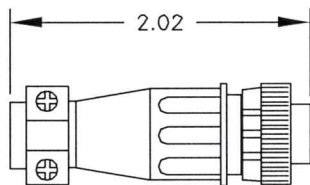
Undersea Systems International, Inc.
 dba
 Ocean Technology Systems

AMP CONNECTORS

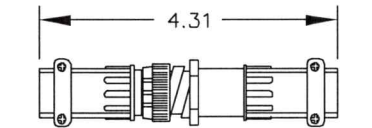
STANDARD CONFIGURATION



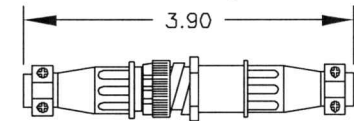
Total Length of Mated Connectors



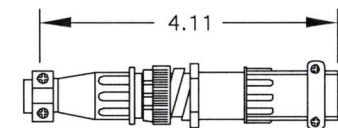
Male, Small Hood
AMP-4M



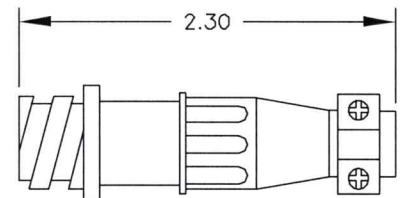
Both with Large Hoods



Both with Small Hoods



One Large and One Small Hood



Female, Small Hood
AMP-4F

O-Ring Placed Inside Connector (283003-000)

○ = SOCKET

● = PIN

Standard Wiring

1	—	Mic Shield (GND)
2	—	Mic Signal
3	—	Ear Signal
4	—	Ear GND

Wiring for Transducer

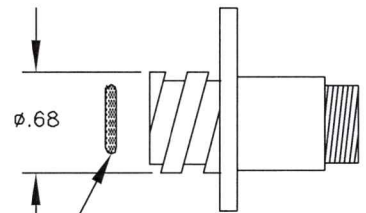
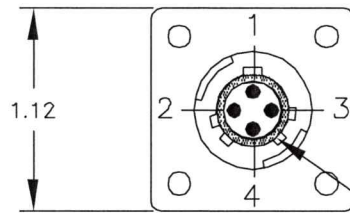
2	—	N/C
1	—	Transducer Shield
3	—	
4	—	Transducer Center

Undersea Systems International, Inc.
 dba
 Ocean Technology Systems

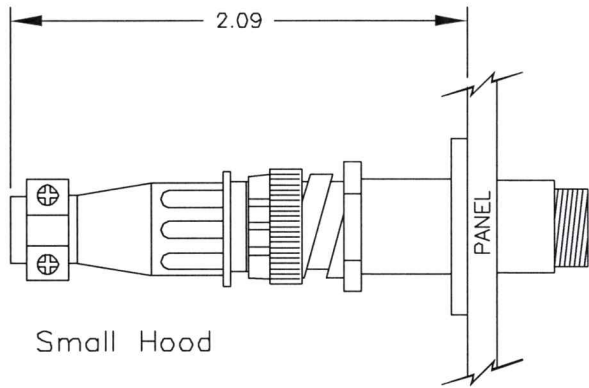
AMP CONNECTORS

PANEL MOUNT FOR SURFACE UNIT TRANSDUCERS

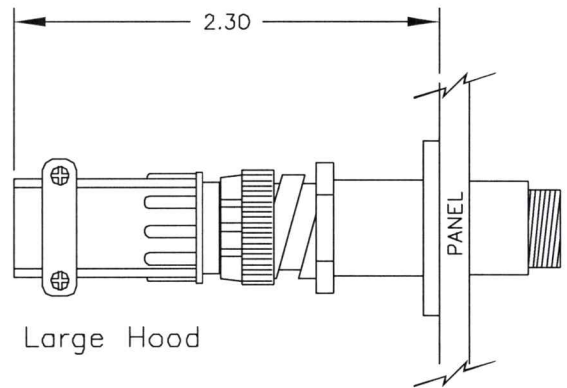
Female
AMP-4BH



O-Ring Placed
 Inside Connector
 (283003-000)



Small Hood



Large Hood

Total Length of Mated Connectors

- | | | |
|---|---|-------------------|
| 1 | — | Transducer Shield |
| 2 | — | N/C |
| 3 | — | Water Switch |
| 4 | — | Transducer Center |