

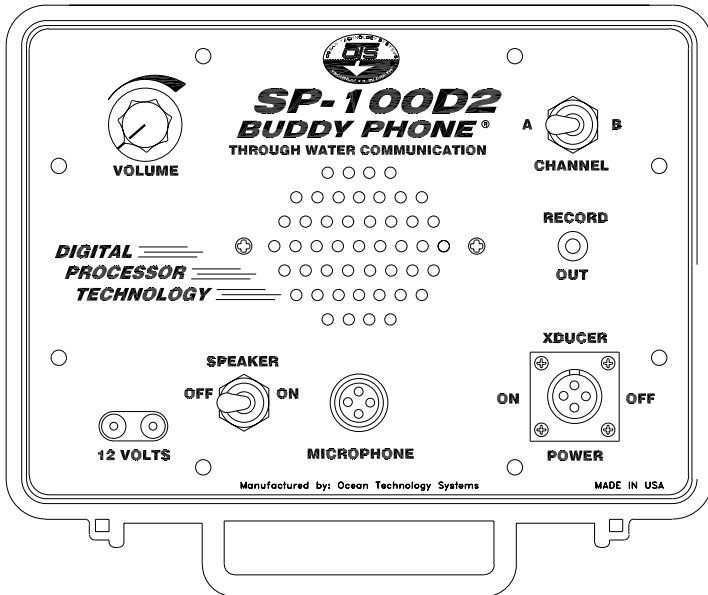
Undersea Systems International, Inc.
dba
Ocean Technology Systems



SP-100D2

2 Channel

Surface Buddy Phone®



"Why Wait to Communicate?"

- NOTICE -

This manual and the information contained herein are provided for use as a maintenance and operation guide. No license or rights to manufacture, produce, and/or sell either the manual or articles described herein are given. Undersea Systems International, Inc., *dba* Ocean Technology Systems hereinafter referred to as OTS, reserves the right to change specifications without notice. It is recommended that all users read and fully understand this manual before using the SP-100D2.

All statements, technical information, and recommendations herein are based on tests we believe to be reliable, but the accuracy or completeness thereof is not guaranteed; and the following is made in lieu of all warranties, expressed or implied, including the implied warranties of merchantability and fitness for purpose: Seller's and Manufacturer's only obligation shall be to replace such quantity of the product proved to be defective. Before using, the user shall determine the suitability of the product for intended use, and the user assumes all risk and liability whatsoever in connection therewith. Neither Seller nor Manufacturer shall be liable either in tort or in contract for any loss or damage—direct, incidental, or consequential—arising from the use of or the inability to use the product. No statement or recommendation not contained herein shall have any force or effect unless it is in an agreement signed by officers of the Seller and Manufacturer.

- IMPORTANT SAFETY NOTICE -

(Please read before using product.)

It is ABSOLUTELY ESSENTIAL that all operators are properly trained and equipped and fully understand this user's manual BEFORE attempting to use the SP-100D2 Surface Buddy Phone®.

While the SP-100D2 provides good underwater communications, it does not change or eliminate the potential hazards of diving!

Refer to the Library page of our Web site, www.otscomm.com, for a list of any changes made to this manual since its publication.

Copyright © 2008, 2013, 2017, 2020 by Undersea Systems International, Inc., *dba* **Ocean Technology Systems**. All rights reserved.
Specifications subject to change without prior notice.

506131-000 (D)

TABLE OF CONTENTS

Section 1: Introduction	1
1.1 General	1
1.2 Specifications	2
Section 2: Functions	3
Section 3: Batteries	5
3.1 Battery Selection	5
3.2 Battery Installation	5
3.3 Low-Battery Alert	5
Section 4: Operation	7
4.1 Setup	7
4.2 Adjustments and Controls	8
4.2.1 Listening Volume	8
4.2.2 Speaker On/Off	8
4.2.3 Channel Selection	8
4.3 Squelch	8
4.4 Reception	8
4.5 Transmission	9
4.6 Recording Communications	9
4.7 Helpful Hints	9
Section 5: Maintenance	11
5.1 SP-100D2 Surface Buddy Phone®	11
5.2 TCA-35 Transducer	11
5.3 HHM-3 Hand-Held Microphone	11
5.4 Batteries	11
Notes	12
Limited Warranty	13

SECTION 1

INTRODUCTION

Congratulations! You have just purchased one of the finest, state-of-the-art underwater communication systems available. The SP-100D2 Surface Buddy Phone® is a compact, ultrasonic, single-sideband transceiver designed to allow surface-to-diver and diver-to-surface through-water communications.

The SP-100D2 is the latest design of the SP-100 Buddy Phone, featuring innovative software-defined radio (SDR) technology that uses digital signal processing (DSP) algorithms. This new design represents the latest in state-of-the-art communications technology, with a streamlined hardware design; greater precision in frequency definition and in squelch sensitivity and selectivity; increased energy efficiency, resulting in higher transmit power; enhanced reception sensitivity; and clearer, higher quality sound.

The SP-100D2 offers many useful features to ensure user-friendly performance: a panel speaker; a heavy-duty, water-resistant housing; accommodation for a 12-volt external power supply; a hand-held microphone; and much more. In all, the SP-100D2 Surface Buddy Phone® portable surface station is designed with full functionality yet simplicity in mind.

1.1 GENERAL

This manual contains information regarding the SP-100D2 Surface Buddy Phone® portable surface communication system. Section 1 contains general information about the SP-100D2 and a table of specifications.

The following are provided with the SP-100D2:

- TCA-35 transducer cable assembly (p.n. 912077-000)
- HHM-3 hand-held microphone (p.n. 110025-000)
- EPP-2 external power cable (p.n. 912033-000)
- SP-100D2 user's manual (document no. 506131-000)
- Warranty card (doc. no. 506014-000)

Optional accessories (sold separately):

- THB-14 headset with boom microphone (p.n. 900298-015)

1.2 SPECIFICATIONS

Transmitter output power:	1/2 watt PEP (peak envelope power)
Audio output to speaker:	1/2 watt (nominal)
Modulation:	Single sideband, no carrier
Operating channels:	Freq. A (Channel 1): 32.768 kHz USB Freq. B (Channel 4): 31.250 kHz LSB
Power supply:	Sixteen AA alkaline cells
Battery life:	20 hours (nominal)
External power: (front panel)	12 VDC, minimum of 1 amp. Access via front panel with use of a mini double banana plug.
Transducer:	Piezoelectric type
Squelch:	Automatic squelch control
Volume:	User adjustable from the front panel
Microphone:	Hand-held, push-to-talk, dynamic, 500 ohm impedance
Activation:	Upon connection of transducer cable to SP-100D2
Housing:	Underwater Kinetics 309, ABS, heavy duty
Control panel:	ABS
Receiver sensitivity:	Greater than 100 dBv
Automatic Gain Control (AGC):	Greater than 100 dBv
Transmitter speech frequency bandwidth:	300–3,500 Hz
Housing dimensions:	Width: 9.00 inches Height: 7.85 inches Depth: 3.40 inches

SECTION 2

FUNCTIONS

Figure 1 depicts the SP-100D2 panel. The numbered text below is the key to the indicated items in Figure 1. Text in all capital letters refers to the label on the panel.

1. VOLUME: Use the volume control to adjust the front-panel speaker listening volume. The volume is increased by clockwise rotation and decreased by counterclockwise rotation.
2. Phillips pan-head screw: One of eight #8-32 Phillips pan-head front-panel screws. These screws are removed to take off the front panel for access to the battery holders or the electronic module.
3. 12 VOLTS This connector is used for an external 12-volt DC power source. Ensure the source has a minimum of 1 amp current. We recommend that you use the supplied double mini banana plug (the EPP-2 external power cable).
4. SPEAKER switch: If a headset is to be used, the front-panel speaker can be turned off via this switch.
5. MICROPHONE: This receptacle is used for the HHM-3 hand-held, push-to-talk microphone (supplied with the SP-100D2).
6. XDUCER: This female bulkhead Amp connector is used for connection of the 35-foot transducer cable. Ensure that the o-ring is in place before connection. When the connection is made to the TCA-35 transducer, the unit will power up and stay powered up until the transducer is disconnected. (Note: After disconnection of the transducer, there is a 45-second delay before power is turned off.)
7. RECORD OUT: A recorder can be connected here. The signal level is “line-out,” suitable for most video and audio recorders. This feature is useful for situations where documentation is important. **NOTE:** Do not connect phantom power to the rec. out jack. Doing so can damage your unit.
8. CHANNEL: The channel switch is designed to select Frequency A (Channel 1, switch to the left) or Frequency B (Channel 4, switch to the right).
9. SPEAKER: The front-panel speaker for listening to communications.

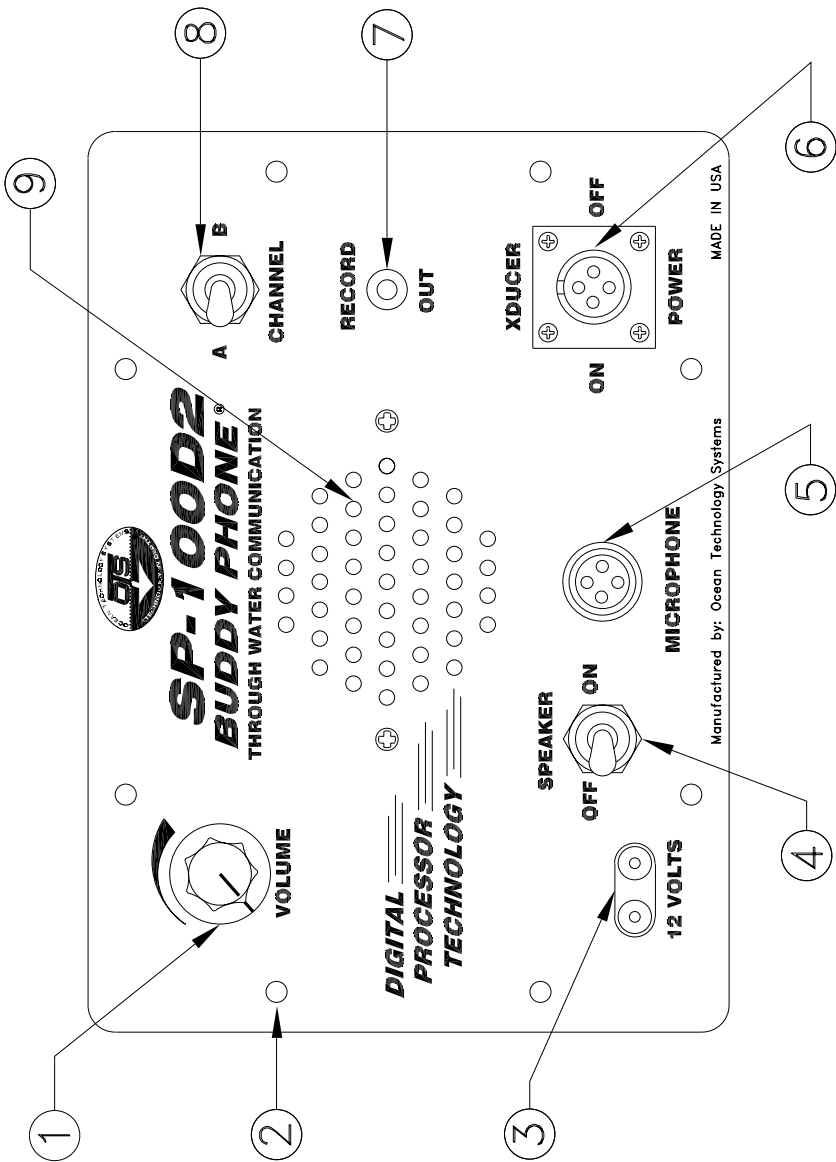


Figure 1

SECTION 3

BATTERIES

3.1 BATTERY SELECTION

We recommend the use of alkaline AA batteries only. You will need sixteen fresh 1.5-volt AA-size batteries.

3.2 BATTERY INSTALLATION

To install the AA alkaline batteries, proceed as follows:

1. Open the lid by lifting the two latches located on either side of the carrying handle.
2. Remove the eight #8 Phillips pan-head screws located on the front panel (Fig. 1, #2). You will need a Phillips-head screwdriver that fits a #8 screw.
3. Gently remove the front panel by grasping the volume control knob (Fig. 1, #1) and transducer receptacle (Fig. 1, #6) and lifting the panel carefully. Be careful not to stress the wires connecting the front panel to the battery holders (Fig. 2, #3). Set aside the entire front panel with electronics attached.
4. Remove the foam padding that covers the batteries (Fig. 2, #1). Locate the four AA battery holders (Fig. 2, #2), remove them, and install fresh AA batteries (four in each holder). The battery holders are marked with instructions to show the correct orientation of the batteries. Make sure all batteries are installed properly.
5. After the batteries are properly installed, put the holders back into the foam pad (Fig. 2, #1) face down. Ensure all wires are dressed such that they are not pinched. Replace the foam padding to cover the batteries (Fig. 2, #1). Replace the front panel, and reinstall the eight panel screws with moderate tightness (make sure you do not overtighten them).

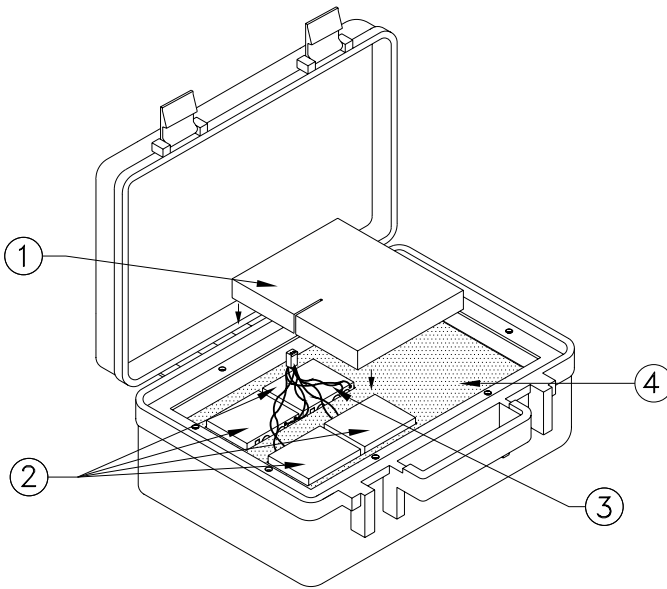
Note: If necessary, you can use only one battery pack. The unit will fully operate, but the battery life will be reduced approximately by half.

3.3 LOW-BATTERY ALERT

The SP-100D2 is equipped with a unique low-battery alert. As the battery level decreases, you will start to hear a short three (3) tone burst, then says “Low Battery.”

WARNING!

If you are going to ship the SP-100D2, remove the batteries first to prevent damage to the holders in the event the unit is dropped. Furthermore, all batteries should be removed if you intend to store the SP-100D2 for an extended time.



Key

- (1) Battery cover foam
- (2) Batteries in holders
- (3) Battery wires
- (4) Battery support foam

Figure 2

SECTION 4

OPERATION

The SP-100D2 is designed to be portable and easy to operate. It is an ultrasonic, through-water communication system. It will enable you to talk to all other divers and/or surface stations on the same frequency and within range. When you speak using the SP-100D2, your voice is sent out in an omni-directional pattern via the transducer to all other transceivers. The transducer is the antenna that both sends out the signal and picks up incoming signals.

4.1 SETUP

After you have installed the batteries (Section 3.2), you are ready to set up your SP-100D2 surface station.

1. Place the SP-100D2 on a surface that is secure from boat action and where the transducer cable will not trip anyone or be damaged.
2. Open the case cover, and ensure that the o-ring is in place in the transducer cable receptacle (Fig. 1, #6) on the front panel. Connect the TCA-35 transducer cable to the receptacle. Connecting the transducer cable powers up the SP-100D2. (When not using the SP-100D2, disconnect the transducer cable to conserve battery power.)
3. Lower the TCA-35 transducer into the water. If using a boat, lower the transducer so it clears the hull. If the surface station is set up on a beach, suspend the transducer from a float.

Under no circumstances should the transducer lie on the bottom. Laying the transducer on the bottom would reduce transmission and reception signal strength, resulting in weak or no communications.

In swiftly flowing water, you may have to keep the transducer from angling toward the surface. Tie a rope to the cable at the transducer end, and secure the other end of the rope to a stable structure on the vessel (or wherever the surface station is located). Hang a weight (about 1/2 pound should be sufficient) from the transducer end of the rope, but make sure that the weight hangs *below* the transducer to prevent transducer damage.

4. Adjust the volume (Fig. 1, #1) to a comfortable listening level.
5. Connect the HHM-3 hand-held microphone (supplied with the SP-100D2) or the THB-14 headset (sold separately) to the microphone receptacle (Fig. 1, #5).

4.2 ADJUSTMENTS AND CONTROLS

4.2.1 LISTENING VOLUME: The volume control knob (Fig. 1, #1) allows adjustment of the listening volume of audio signal coming through the front-panel speaker. Turn the volume control clockwise to increase the volume and counter-clockwise to decrease it. If you are using a headset (the THB-14, sold separately), the volume control knob also controls the listening volume through the headset.

4.2.2 SPEAKER ON/OFF: If you are using the optional THB-14 headset (part no. 900298-015), you may want to turn off the front-panel speaker. This is done with the speaker on/off switch (Fig. 1, #4).

4.2.3 CHANNEL SELECTION: The channel switch (Fig 1, #8) allows the user to choose either Frequency A (Channel 1) or Frequency B (Channel 4). Having the ability to select between channels is a feature useful for dive teams who have more than one group. *Note: Ensure all units are on the same channel before diving.*

4.3 SQUELCH

The squelch helps suppress background noises created by sea creatures, human activity, or other sources (e.g., snapping shrimp, croakers, motor boats, pool pumps). Its innovative technology is unlike squelch systems used in the past: Instead of relying simply on signal strength, it actually distinguishes between noise and voice. The voice recognition capabilities of the SP-100D2 allow it to activate the panel speaker with even the slightest voice in the greatest noise, such as that found on an active reef. Therefore, the SP-100D2 squelch does not suffer the loss of range encountered with other squelch systems, especially in high-noise environments.

The SP-100D2 squelch is fully automatic, so no adjustments are necessary.

4.4 RECEPTION

When the SP-100D2's power is activated by connecting the TCA-35 transducer (Step 2 in Section 4.1), the unit enters the receive mode and listens for incoming signals. Adjust the listening volume to a comfortable level (Section 4.2.1).

If you would prefer to use a headset, we offer an optional headset with boom microphone (model THB-14) that connects to the microphone jack on the SP-100D2 panel. You have the option of turning off the speaker (Section 4.2.2) while you use the headset. The volume control knob (Fig. 1, #1) serves to adjust the headset's listening volume. When connecting the headset, be sure the listening volume is turned down, because the volume is much louder in the headset than through the speaker.

4.5 TRANSMISSION

To talk to a diver and/or another surface station, hold the HHM-3 microphone within 1/4 inch of your lips (or ensure the boom microphone of the THB-14 headset is within 1/2 inch of your lips). Depress the push-to-talk (PTT) button on the side of the microphone or headset, and speak slowly. When you release the PTT button, the SP-100D2 will return to the receive mode. While the SP-100D2 is in transmission mode, you will not hear any received communications.

4.6 RECORDING COMMUNICATIONS

If you would like to record the communications, connect the recording device to the “record out” jack (Fig. 1, #7). The jack accepts a male RCA phono plug. Ensure the recorder is recording when the SP-100D2 is operated. All sounds outputted to the speaker will be recorded at “line level.”

4.7 HELPFUL HINTS

- Remember that all divers are hearing noise underwater (e.g., bubbles and biological noises). Everyone communicating should speak at a moderate voice level and a bit more slowly than normal.
- Divers should try to be in an inhalation cycle when listening to a voice message; doing so will help eliminate bubble noise while listening to messages.
- When talking to divers, keep in mind they have many things happening while underwater. It is best to get the diver’s attention before giving him a message. Example: “Mark, Mark, this is topside, come in Mark.” Mark would answer back and then prepare for your message. Example: “Topside, this is Mark, go ahead.”
- When transmitting, speak slowly and in one continuous sentence. Try not to make long sentences. It is always a good idea to have the divers repeat the message back so you know they clearly understood your message. Remember that listening to divers is usually easier than divers’ listening to the topside tender.
- It is important that the transducer be protected. It is designed using a material that can break if sharply hit or impacted.
- Do not hang the transducer in a position that is blocked, and do not lay it on the sea bottom.
- Inform the divers that if they go below a thermocline, they should inform everyone. If possible, lower the transducer to the same depth as the divers in the thermocline.
- If you are using the SP-100D2 on a vessel, always remember to pull up the

transducer when moving the vessel. Many transducers have been lost when cut off by a propeller.

- Keep the hand-held microphone as dry as possible. It is *not* waterproof.
- Place the SP-100D2 where it can be heard easily. If working on a boat, locate a place where you can secure the unit where boat action will not cause it to fall. Also remember to dress the transducer cable in such a way that divers and/or topside personnel will not trip over it.
- If this is the first time you or any other member of your team is using communications, we recommend that your team get together to talk about the system. Plan alternative communications in the event something is not working. A pool session or practice in another controlled environment is the best preparation.
- Talking and listening while diving is something that takes practice and will improve every time a team works together. The U.S. Navy has found that proficiency at through-water communications requires about three dives. Do not be discouraged when you first start using underwater communications.

SECTION 5

MAINTENANCE

5.1 SP-100D2 SURFACE BUDDY PHONE®

Although the SP-100D2 Surface Buddy Phone® is rugged in design, it should be treated like any good-quality electronic equipment. Avoid transportation modes that would expose the unit to constant vibrations and knocking about. Ship the unit well packaged, *without* the batteries installed.

After use, wipe the unit free of dirt, debris, and water. Use a clean, soft cloth. Warm water with a small amount of nonabrasive soap is the recommended cleaning solution.

When the SP-100D2 is not being used, it is a good idea to keep the cover securely fastened.

Remember, when the transducer assembly is connected to the SP-100D2, the power is *on*. To conserve energy when securing or cleaning the SP-100D2, disconnect the transducer connector from the front panel.

5.2 TCA-35 TRANSDUCER

The transducer should be kept clean and free of oils. The transducer itself can be cleaned with rubbing alcohol. If wet after a dive, the transducer assembly should be stored in a separate container.

5.3 HHM-3 HAND-HELD MICROPHONE

Store the hand-held microphone in a dry area. The microphone is not waterproof and should be kept as dry as possible. Keep it free of water and from water spray. Mild soap solution, wiping dry afterward, is the preferred cleaning method.

5.4 BATTERIES

Inspect the batteries periodically to ensure they are in good order and not leaking.

NOTES:

Undersea Systems International, Inc.

dba

Ocean Technology Systems

LIMITED WARRANTY

Ocean Technology Systems' SP-100D2 Surface Buddy Phone® is fully warranted against defects in materials and workmanship for a period of one year from the time of purchase. Our obligation under this warranty is limited to the replacement of any part or parts that prove to our satisfaction to have been defective and that have not been misused or carelessly handled. Labor is warranted for one year from time of purchase. The complete unit and/or part must be returned to our factory, transportation charges prepaid. We reserve the right to decline responsibility where repairs have been made or attempted by other than an Ocean Technology Systems factory-trained service center or properly trained personnel. In no event shall Ocean Technology Systems be liable for consequential damages.

You can now register your product online at the OTS Web site. Just visit
<http://www.otscomm.com/register1.html>.

Undersea Systems International, Inc.

dba

Ocean Technology Systems

3133 West Harvard Street, Santa Ana, CA 92704, USA

Telephone 714-754-7848 • Toll-free 800-550-1984 • Fax 714-966-1639

E-mail: ots@otscomm.com

World Wide Web: <http://www.otscomm.com>

Copyright © 2008, 2013, 2020 by Undersea Systems International, Inc., dba

Ocean Technology Systems. All rights reserved.

Specifications subject to change without prior notice.